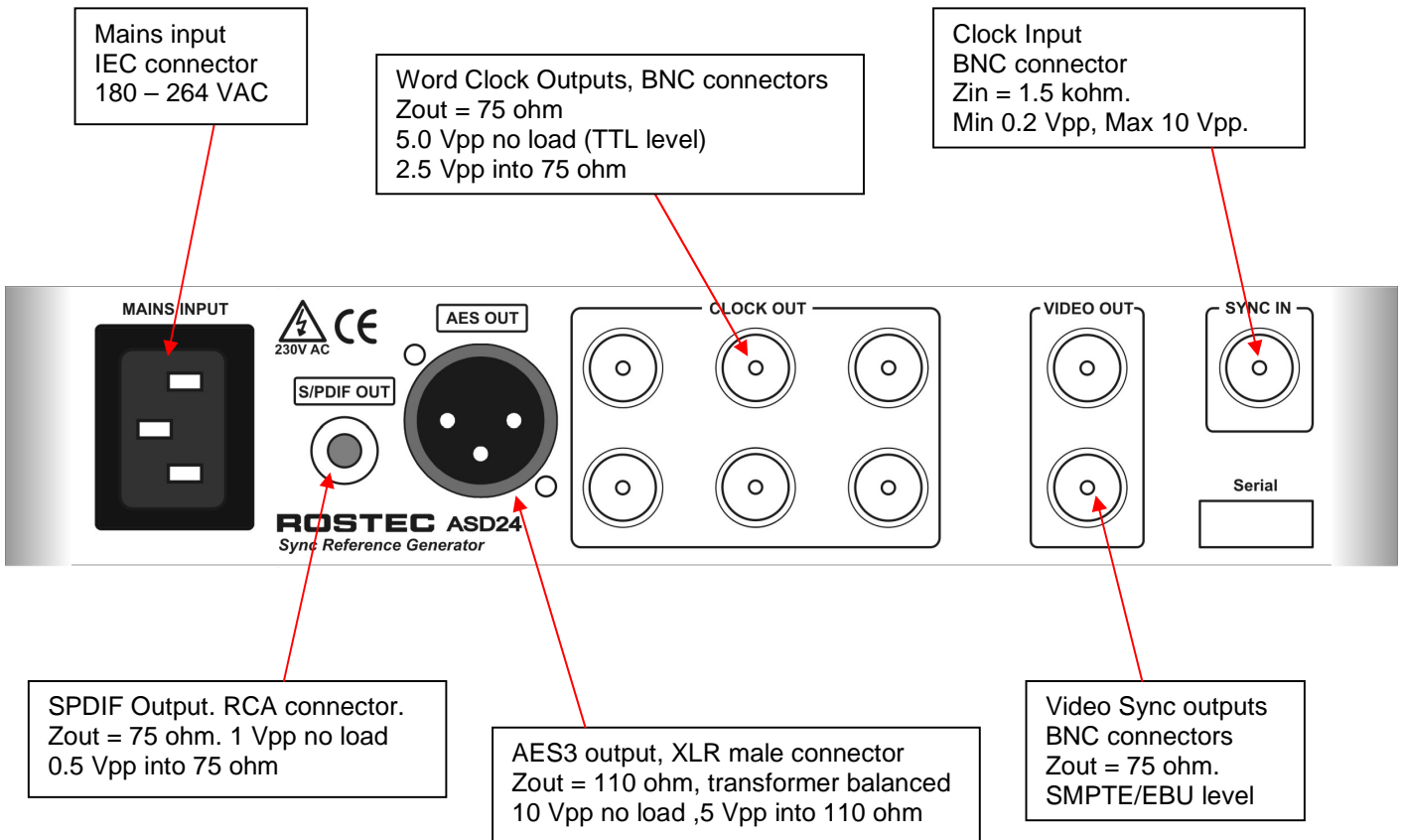




ROSTEC ASD24
High Precision Sync Reference Generator
Back panel quick guide

ASD24 Reference Generator



All Inputs and outputs are ESD protected to 23 kV, IEC 61000-4-2 and 15 A surge, IEC 61000-4-5.